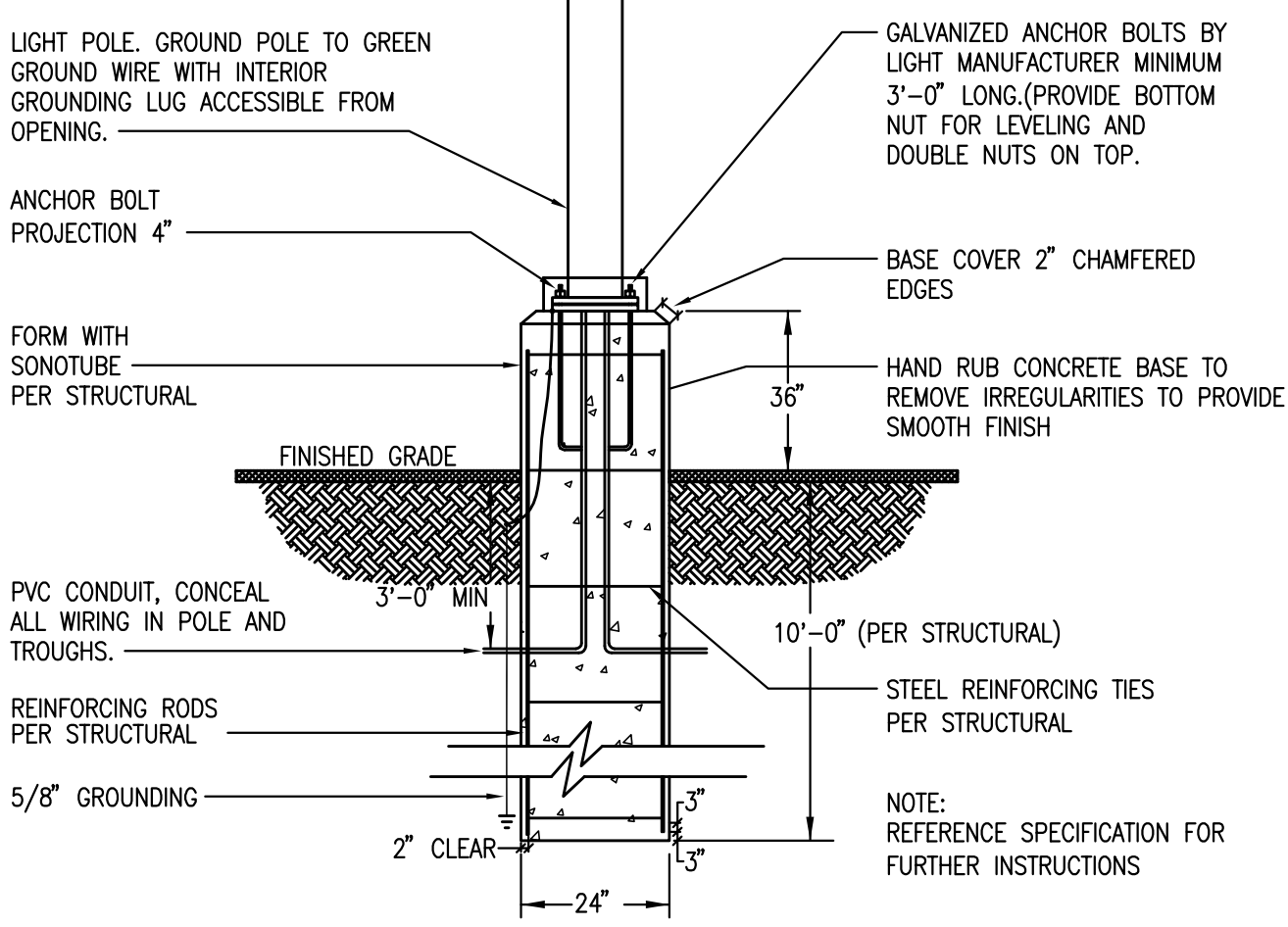
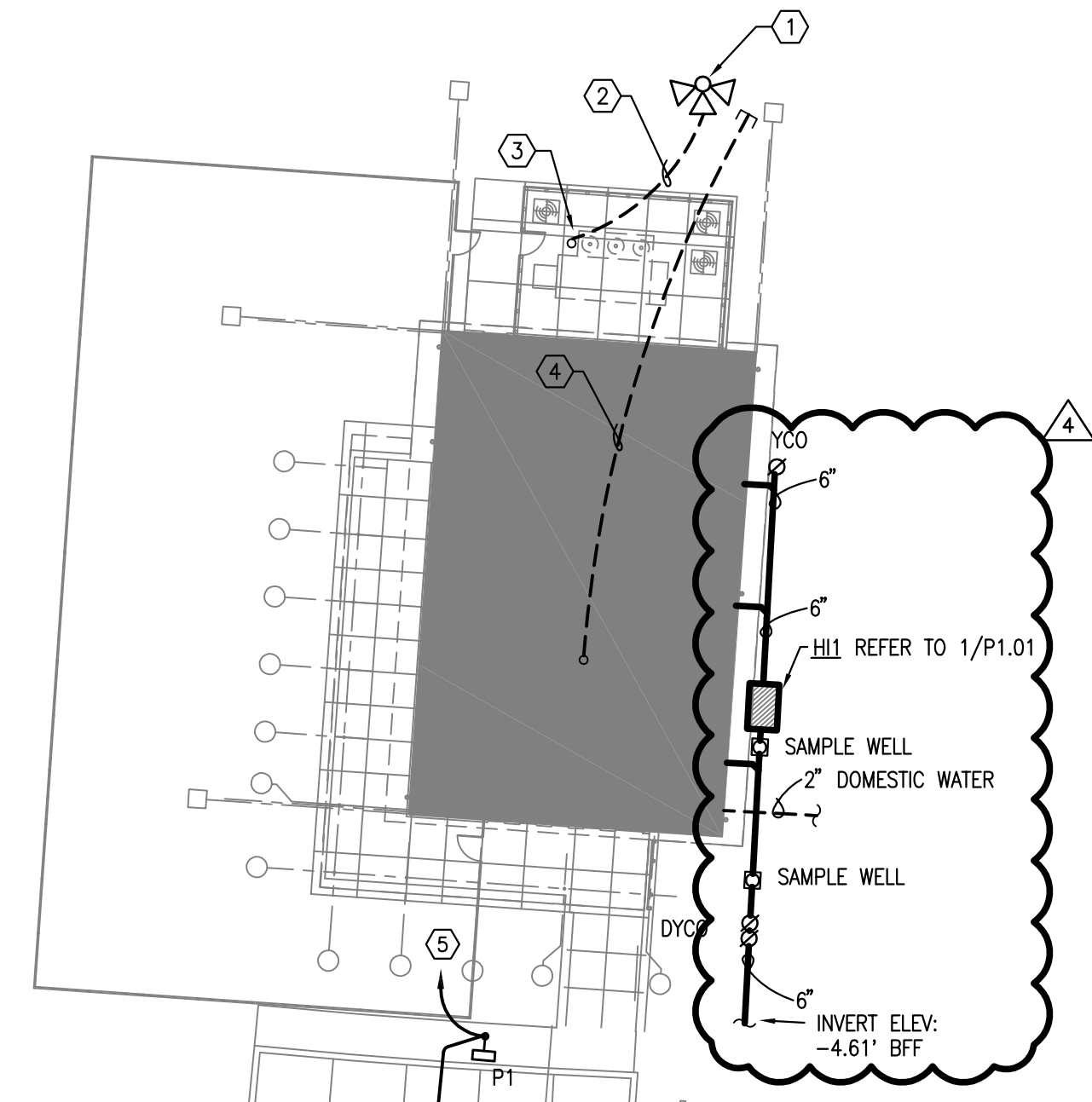


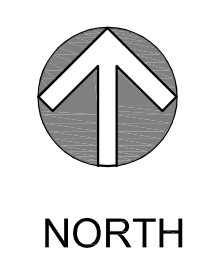
TEXAS REGISTERED  
ENGINEERING FIRM P-10487  
700 N. ST. MARY'S  
SUITE 1225  
SAN ANTONIO, TX 78205  
WWW.RGMENGINEERING.NET  
PHONE: 210.299.4522  
FAX: 210.299.4525



**2 TYPICAL POLE BASE**  
NOT TO SCALE



**1 MEP SITE PLAN**  
SCALE: 1"=20'-0"



**KEYED NOTES:**

- ① PROPOSED SERVICE RISER LOCATION. COORDINATE WITH UTILITY COMPANY PRIOR TO COMMENCING OF WORK.
- ② UNDERGROUND SERVICE FEEDER PER UTILITY COMPANY STANDARDS.
- ③ SERVICE EQUIPMENT, REF. ONE-LINE DIAGRAM.
- ④ 2-4" E.C. WITH PULL STRING FOR TELEPHONE AND T.V. REF. ONE-LINE DIAGRAM. TERMINATE AT STREET SERVICE POINT PER SERVICE PROVIDER. STUB UP IN IT ROOM. 18" AFF.
- ⑤ ROUTE THROUGH PHOTOCCELL/TIMER.

FILE NAME: 15-120 MEP1.01 Site Plans.dwg  
 FILE LOCATION: N:\2015\15-120 Spay & Neader Clinic San Antonio\MEP  
 DATE: Wed, 06 Jan 2016 - 1:07pm  
 PLOTTED BY: Joseph

**ARCHITECT**  
**DOUGLAS ARCHITECTS**  
 1320 E. Houston St. Suite 102  
 San Antonio, TX 78205  
 T 210.226.5500  
 F 210.226.5501  
 www.douglasarchitects.net  
 Project No.: 1414  
 Project Architect: Andrew Douglas, AIA  
 Project Manager: Caleb Gains

**OWNER**  
**BROOKS CITY BASE**  
 Contact: Jaime Lawhn  
 3201 Sidney Brooks  
 San Antonio, TX 78235  
 T: 210.678.3357  
 E: jaime.lawhn@brookscity-base.com  
**STRUCTURAL ENGINEER**  
**LUNDY & FRANKE ENGINEERING, INC.**  
 Contact: Duncan McAda  
 549 Helmer Rd.  
 San Antonio, TX 78232  
 T: 210.979.7900  
 E: mcada@lundyfranke.com

**M.E.P. ENGINEER**  
**R.G.M. ENGINEERING**  
 Contact: Roger Mendez  
 700 N. St. Mary's, Suite 1225  
 San Antonio, TX 78205  
 T: 210.299.4522  
 E: roger@rgmengineering.net

**SEAL**  
 THE SEAL APPEARING ON THIS  
 DOCUMENT WAS AUTHORIZED BY  
 ROGER G. MENDEZ, P.E., 93809  
 ON 01/05/2016

DATE	ISSUANCE
1 October 19, 2015	50% Progress Set
2 December 04, 2015	90% Progress Set
3 December 11, 2015	100% CD Set
4 December 15, 2015	Addendum 1
5 December 16, 2015	Addendum 2
6 December 22, 2015	Addendum 3
7 January 05, 2016	Addendum 4

**PROJECT**  
**VETERINARY CLINIC AT BROOKS**  
**ADDENDUM 4**  
 JANUARY 05, 2016  
**PROJECT STATUS**

**SHEET NAME**  
**MEP SITE PLAN**  
**SHEET NUMBER**  
**MEP1.01**