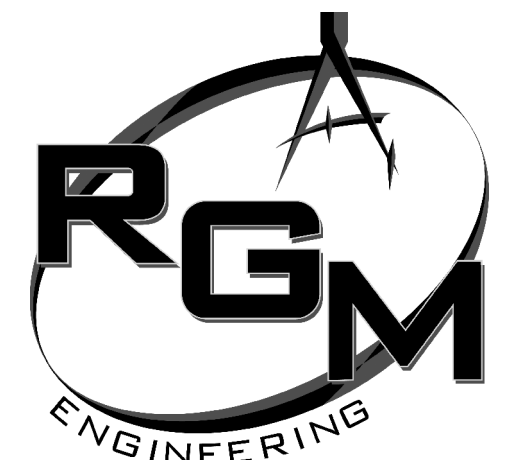
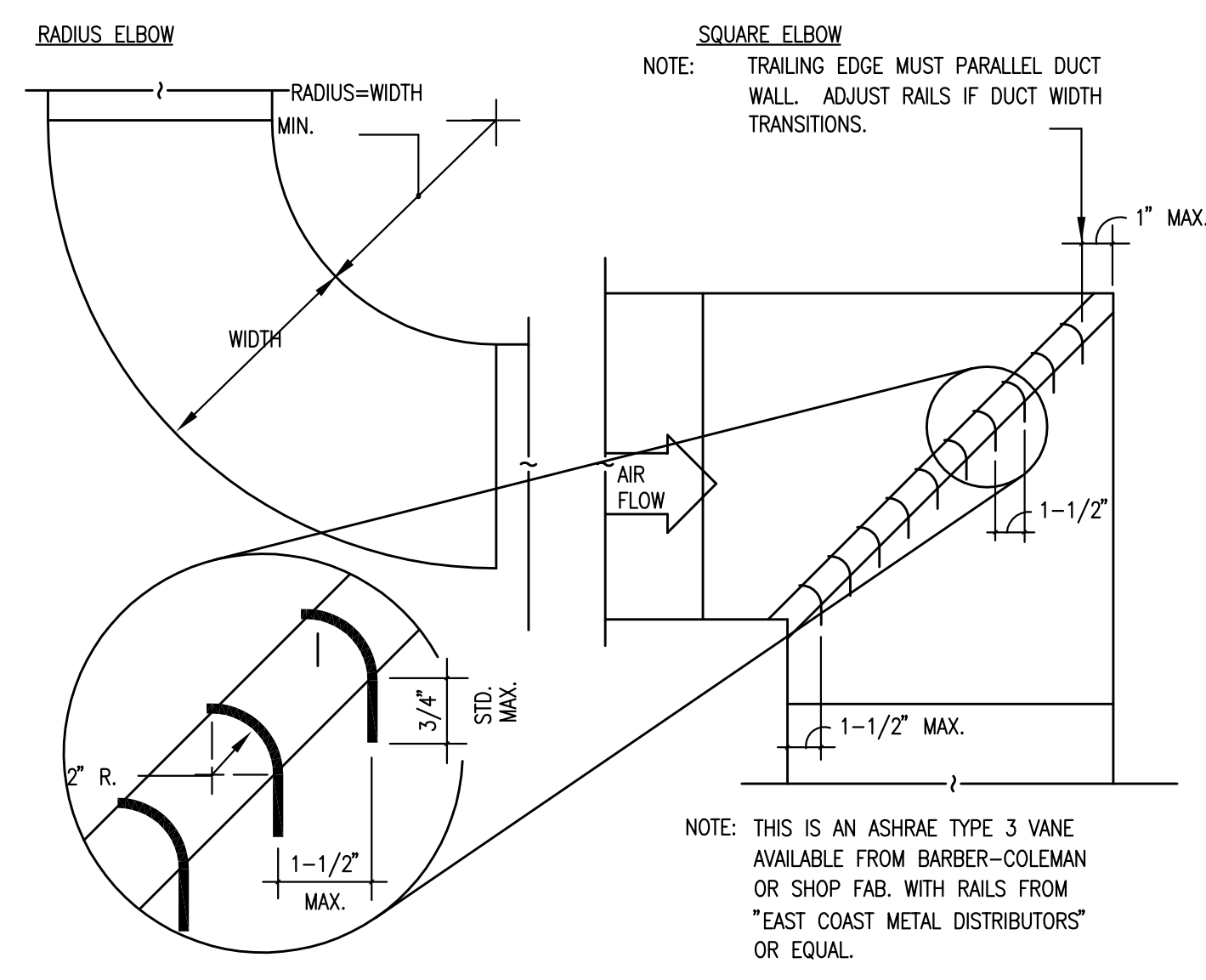


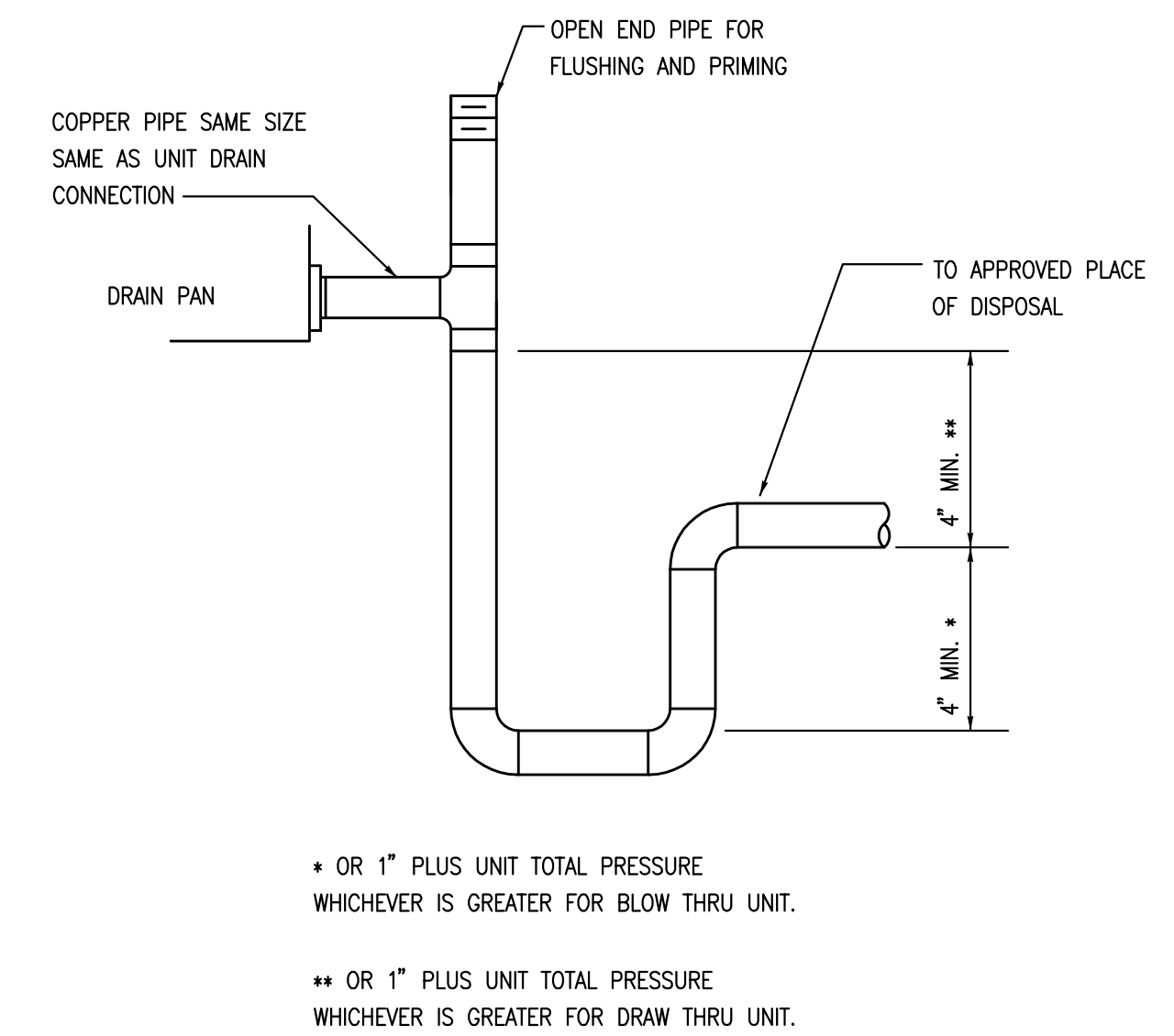
CAD
JH/AM/HG
P
HN
MG
TP
M
PM
RCM



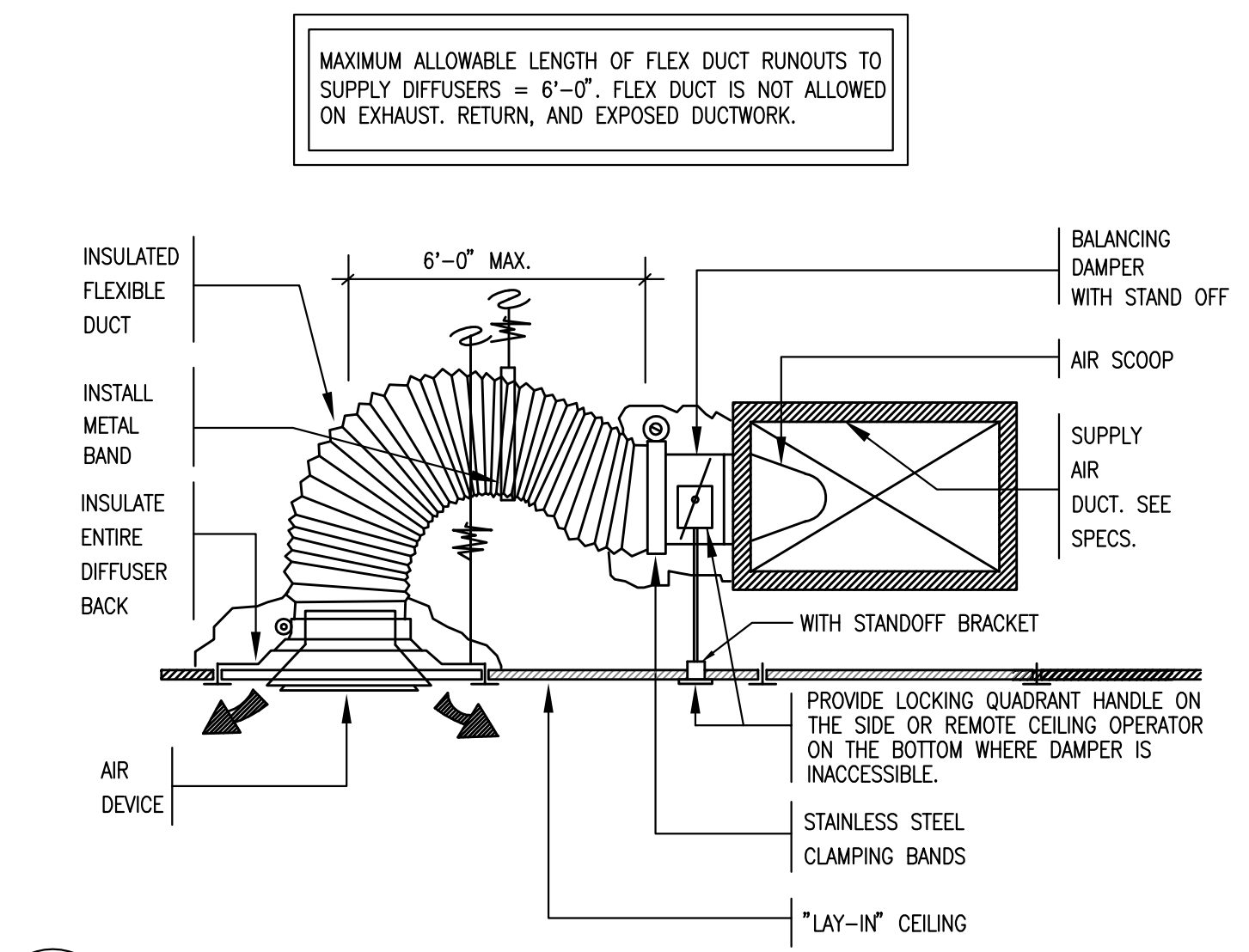
TEXAS REGISTERED
ENGINEERING FIRM P-10487
700 N. ST. MARY'S
SUITE 1225
SAN ANTONIO, TX 78205
WWW.RGMENGINEERING.NET
PHONE: 210.299.4522
FAX: 210.299.4525



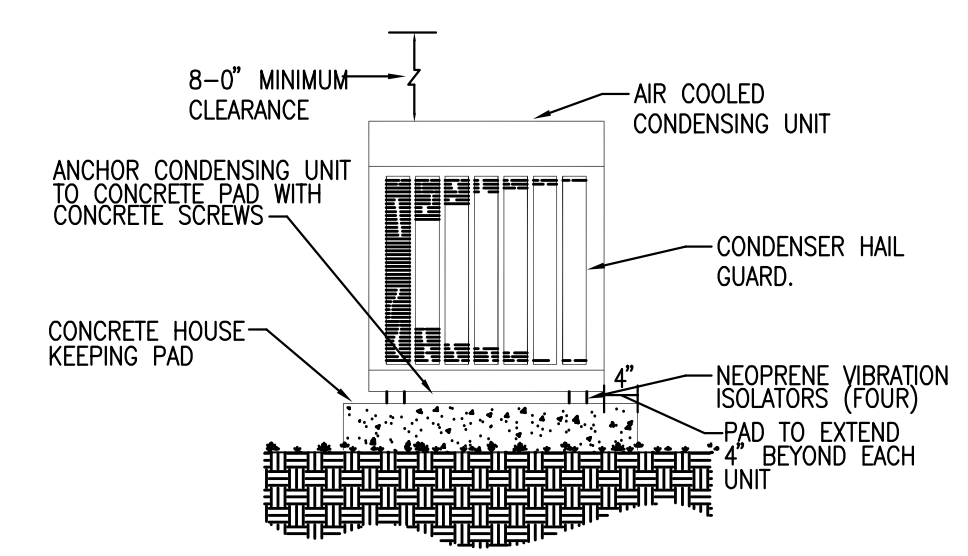
1 TYP. DUCT ELBOW
NOT TO SCALE



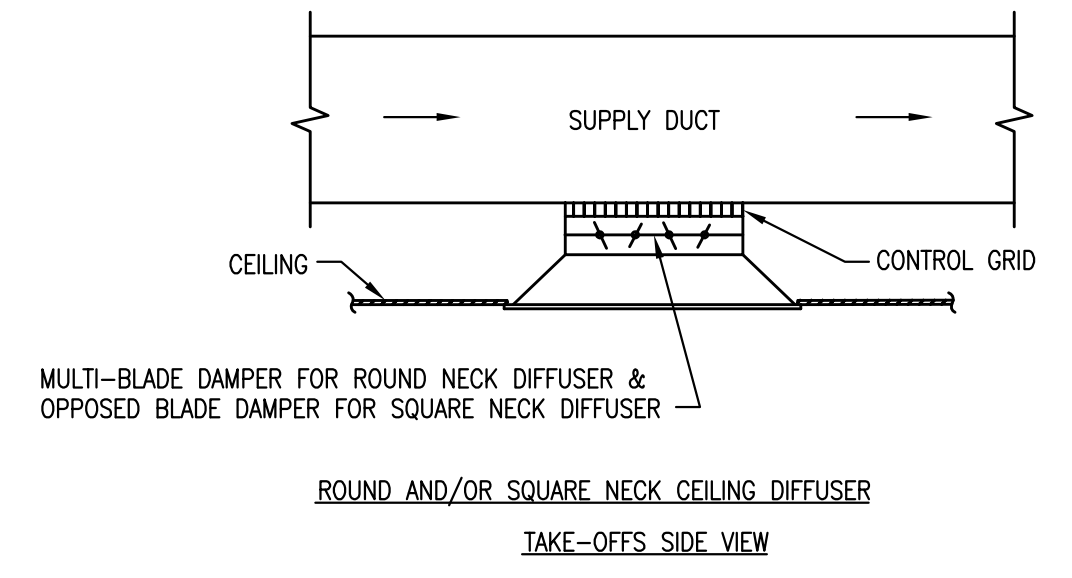
2 CONDENSATE DRAIN TRAP DETAIL
NOT TO SCALE



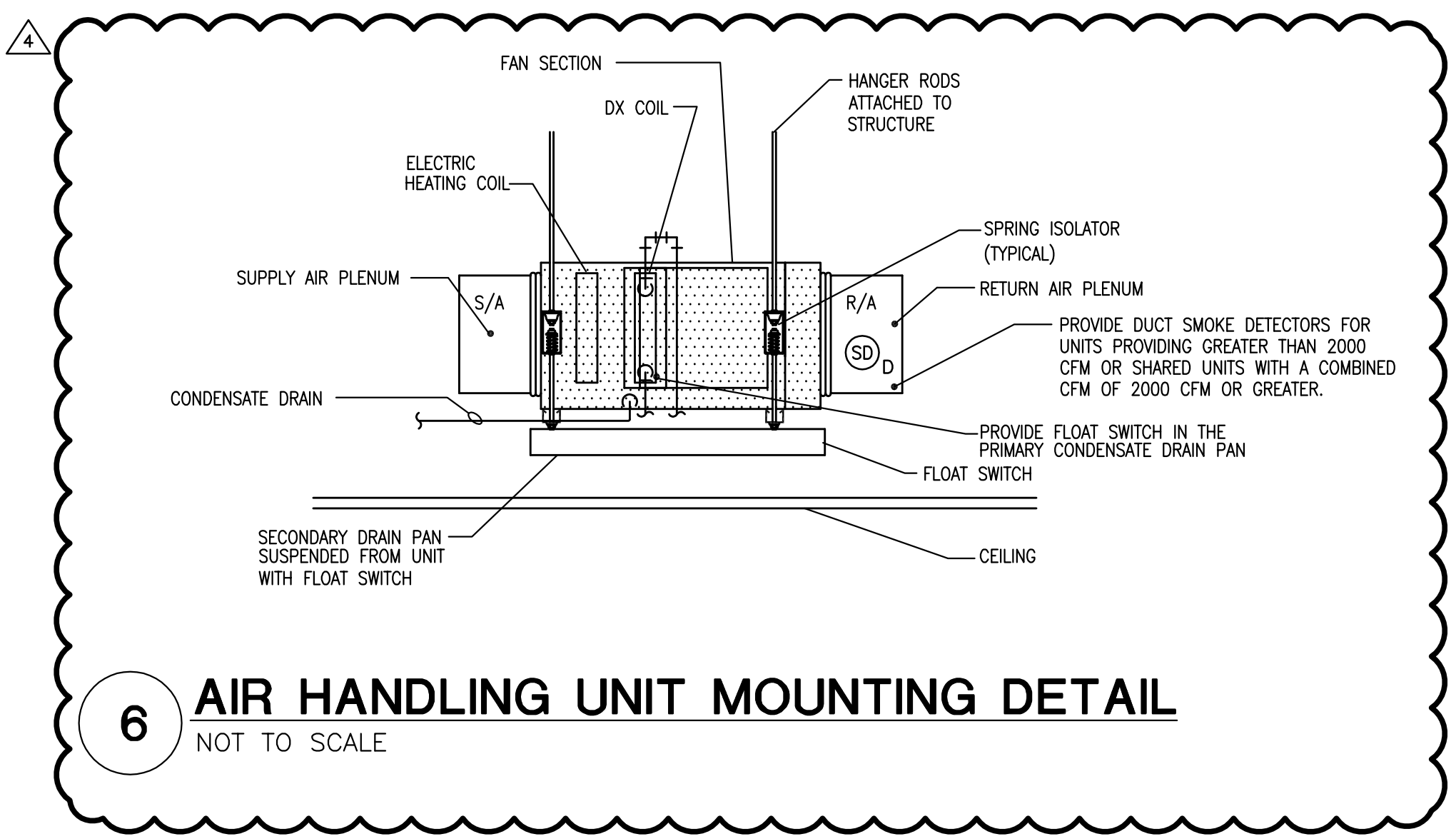
3 FLEXIBLE DUCT TAP DETAIL
NOT TO SCALE



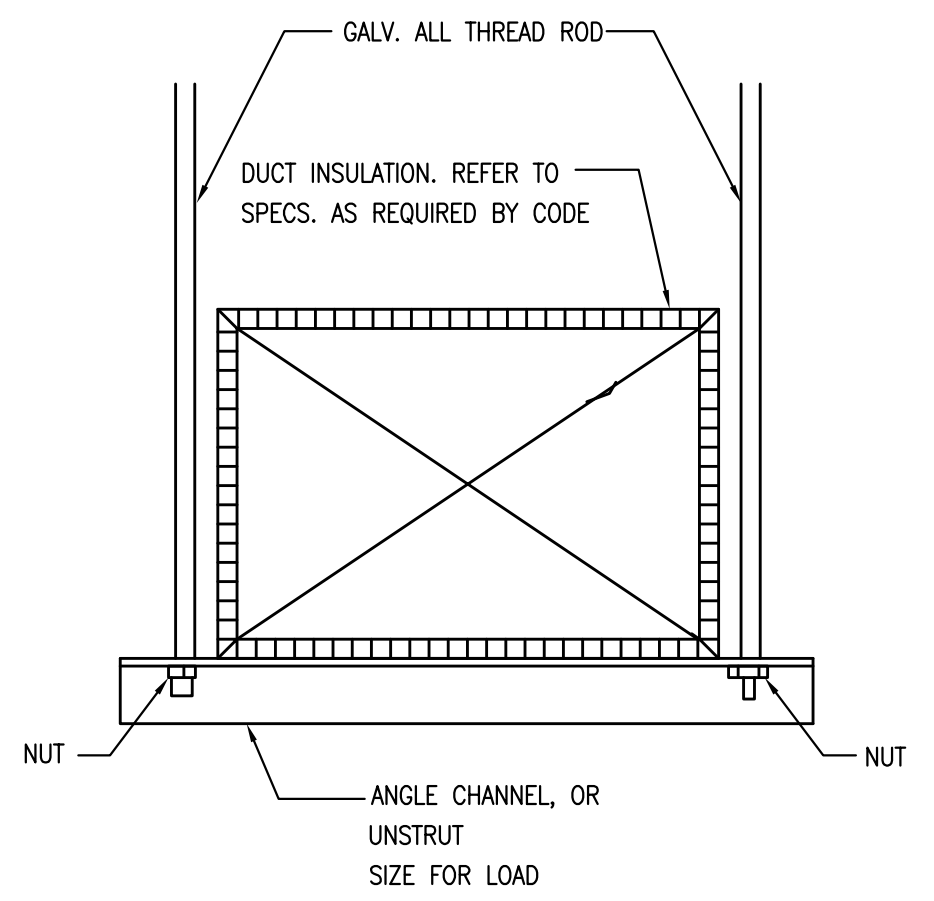
4 CONDENSING UNIT DETAIL
NOT TO SCALE



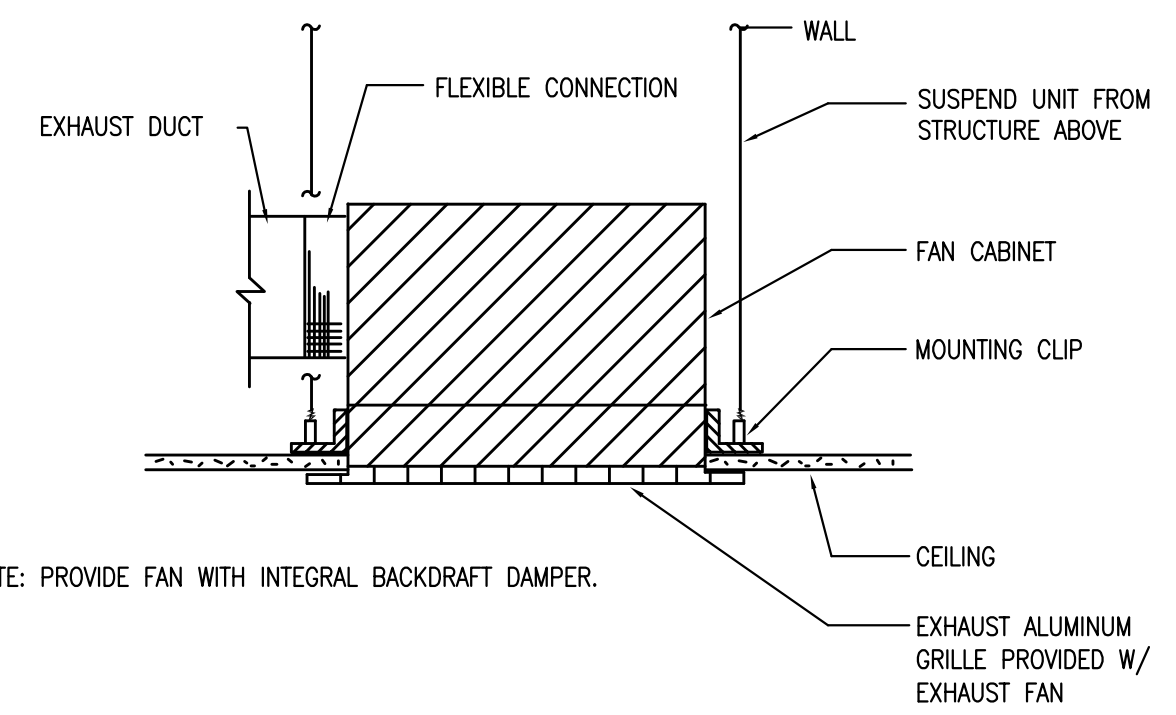
5 CEILING DIFFUSER DUCTWORK TAKE-OFFS
NOT TO SCALE



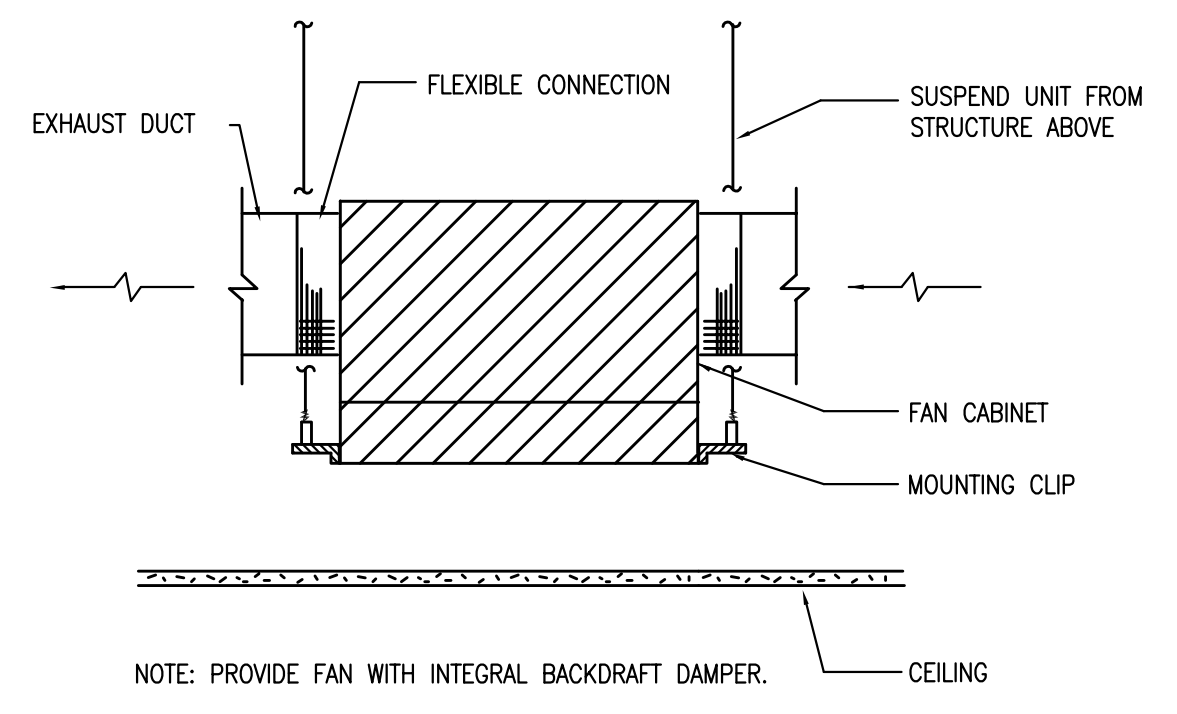
6 AIR HANDLING UNIT MOUNTING DETAIL
NOT TO SCALE



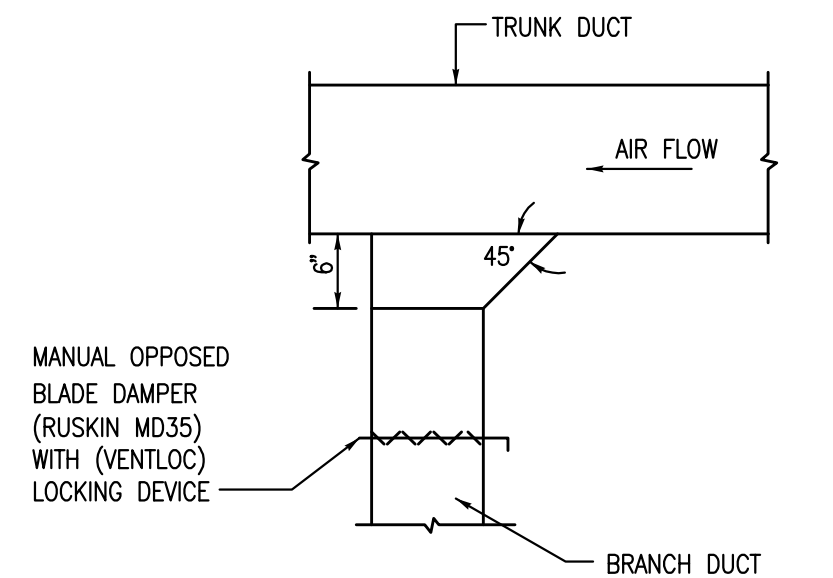
7 TRAPEZE DUCT HANGER DETAIL
NOT TO SCALE



8 CEILING EXHAUST FAN
NOT TO SCALE



9 INLINE EXHAUST FAN
NOT TO SCALE



10 DUCT BRANCH DETAIL
NOT TO SCALE

FILE NAME: 15-120 MG.01 Mechanical Details.dwg
FILE LOCATION: N:\2015\15-120 Spray & Neader Clinic San Antonio\Mechanical
DATE: Wed, 06 Jan 2016 - 1:07pm
PLOTTER: Joseph

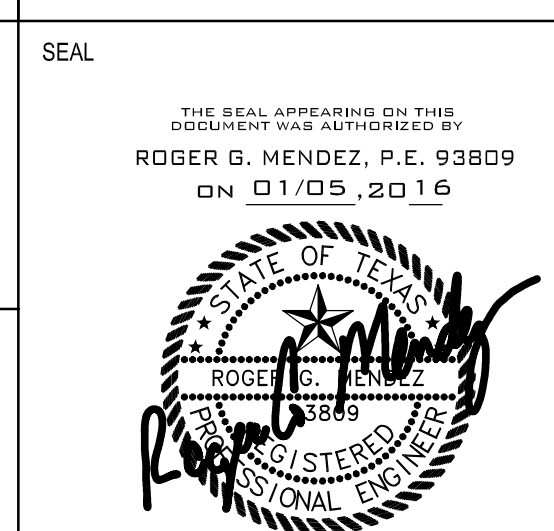
ARCHITECT
DOUGLAS ARCHITECTS
1320 E. Houston St. Suite 102
San Antonio, TX 78205
T 210.226.5500
F 210.226.5501
www.douglasarchitects.net

Project No.: 1414
Project Architect: Andrew Douglas, AIA
Project Manager: Caleb Goins

OWNER
BROOKS CITY BASE
Contact: Jaime Lawhn
3201 Sidney Brooks
San Antonio, TX 78235
T: 210.678.3357
E: jaime.lawhn@brookscity-base.com

STRUCTURAL ENGINEER
LUNDY & FRANK ENGINEERING, INC.
Contact: Duncan McAda
549 Helmer Rd.
San Antonio, TX 78232
T: 210.379.7900
E: mcada@lundyfranke.com

M.E.P. ENGINEER
R.G.M. ENGINEERING
Contact: Roger Mendez
700 N. St. Mary's, Suite 1225
San Antonio, TX 78205
T: 210.299.4522
E: roger@rgmengineering.net



DATE	ISSUANCE
1 October 19, 2015	50% Progress Set
2 December 04, 2015	90% Progress Set
3 December 11, 2015	100% CD Set
4 December 15, 2015	Addendum 1
5 December 16, 2015	Addendum 2
6 December 22, 2015	Addendum 3
7 January 05, 2016	Addendum 4

PROJECT
VETERINARY CLINIC AT BROOKS

PROJECT STATUS
ADDENDUM 4
JANUARY 05, 2016

SHEET NAME
MECHANICAL DETAILS

SHEET NUMBER
M3.01