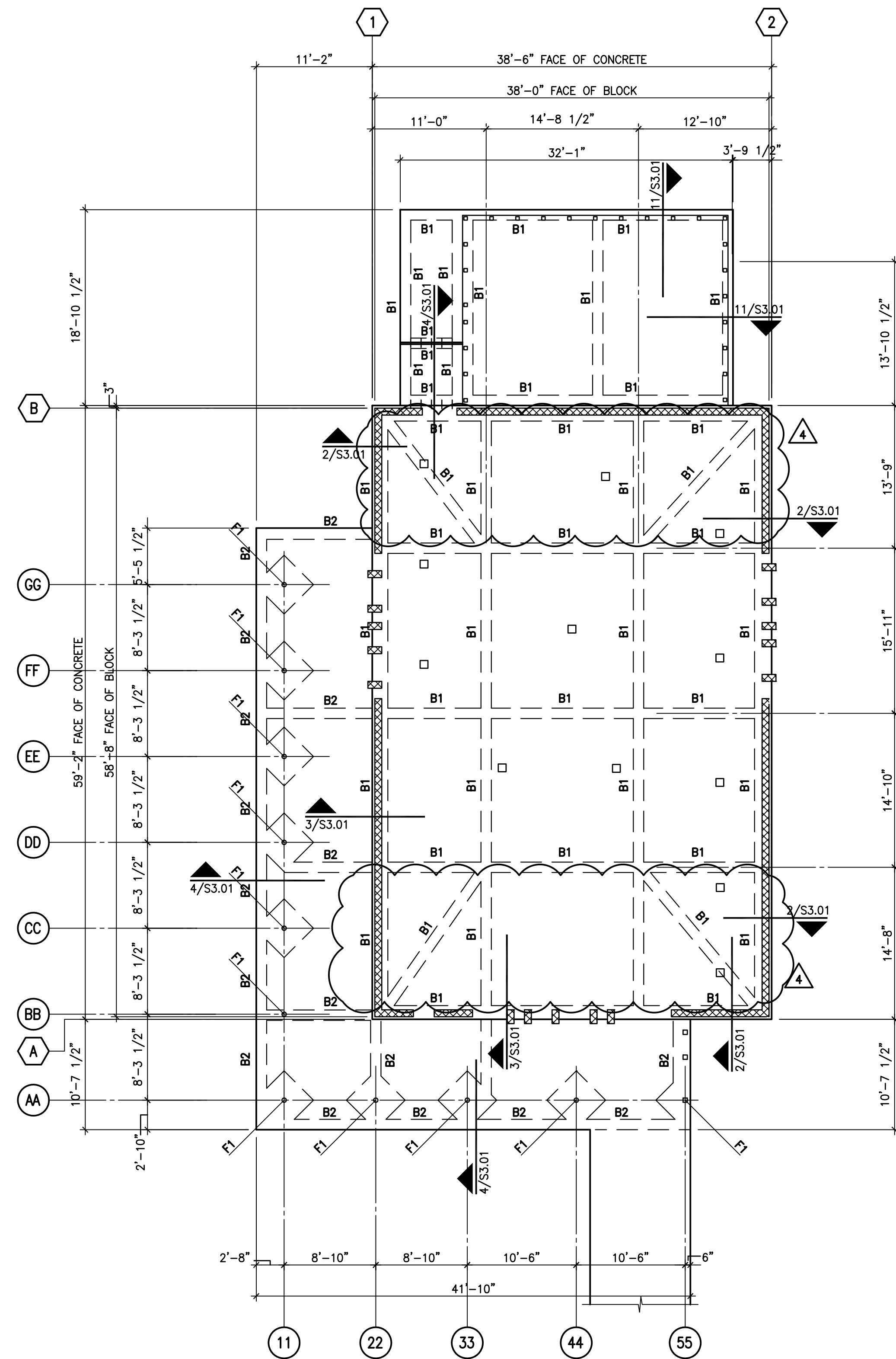


**ROOF FRAMING PLAN**  
SCALE: 1/8" = 1'-0"



**FOUNDATION PLAN**  
SCALE: 1/8" = 1'-0"

LA PROJECT NO.: 23-007-00  
LA FILE NO.: BVCS2-01

**ARCHITECT**  
**DOUGLAS ARCHITECTS**  
1320 E. Houston St., Suite 102  
San Antonio, TX 78205  
T: 210.226.5500  
F: 210.226.5501  
www.douglasarchitects.net

Project No.: 1414  
Project Architect: Andrew Douglas, AIA  
Project Manager: Caleb Groins

**OWNER**  
BROOKS CITY BASE  
Contact: Jaime Lawhn  
3201 Sidney Brooks  
San Antonio, TX 78235  
T: 210.678.3357  
E: jaime.lawhn@brookscity-base.com

**STRUCTURAL ENGINEER**  
LUNDY & FRANK ENGINEERING, INC.  
TX FIRM REG. #3398  
Contact: Shawn Franke  
549 Helmer Rd.  
San Antonio, TX 78232  
T: 210.979.7900  
E: franke@lundyfranke.com

**M.E.P. ENGINEER**  
R.G.M. ENGINEERING  
Contact: Roger Mendez  
700 N. St. Mary's, Suite 1225  
San Antonio, TX 78205  
T: 210.299.4522  
E: roger.rgmengineering.net

SEAL  
DATE: 12/11/15  
SHAWN J. FRANKE  
82639  
LICENSED PROFESSIONAL ENGINEER  
*Shawn Franke*

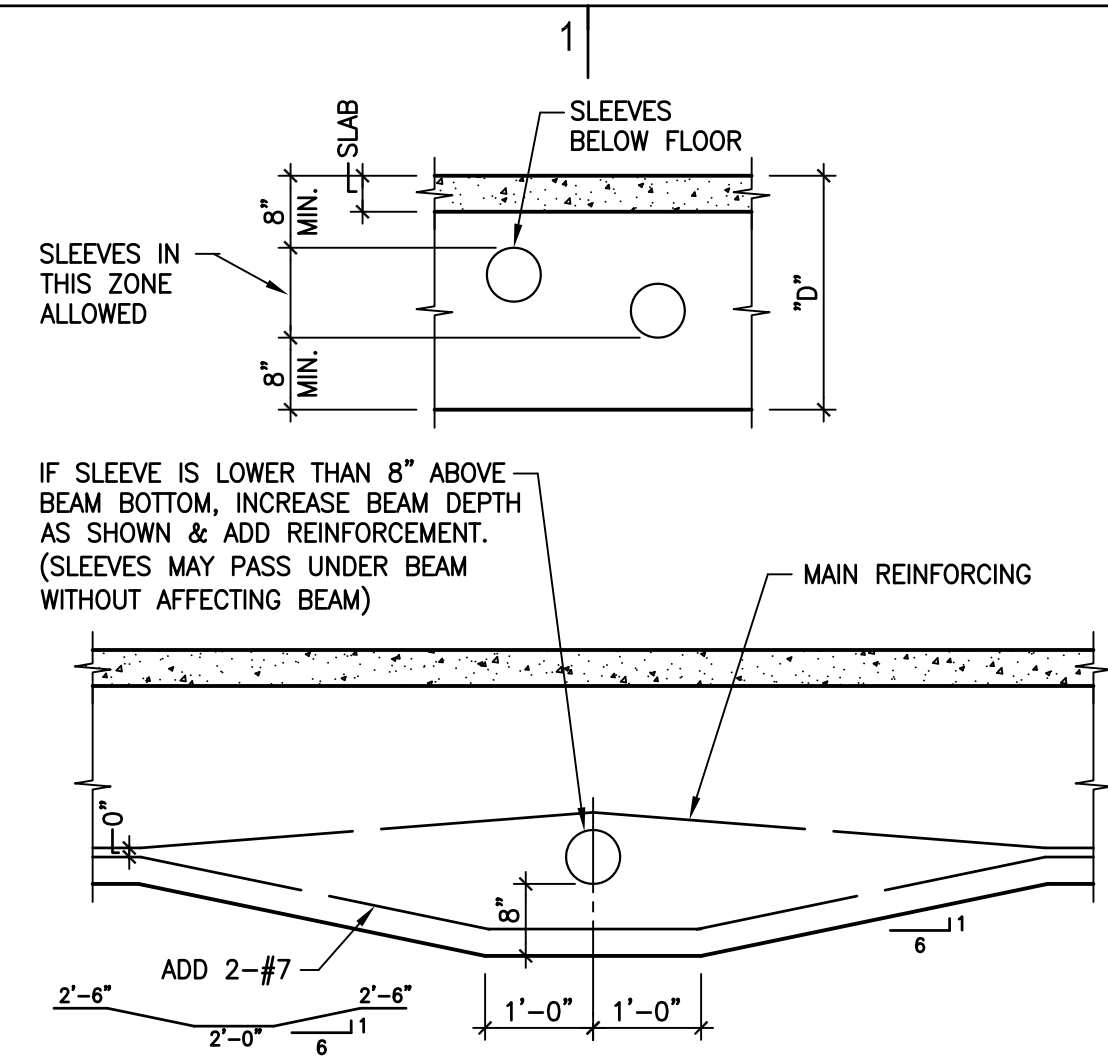
NO.	DATE	ISSUANCE
1	October 19, 2015	50% Progress Set
2	December 04, 2015	90% Progress Set
3	December 11, 2015	100% CONSTRUCTION SET
4	December 15, 2015	ADDENDUM 1
5	December 16, 2015	ADDENDUM 2
6	December 22, 2015	ADDENDUM 3
7	January 05, 2016	ADDENDUM 4

**PROJECT**  
VETERINARY CLINIC AT BROOKS  
200 S. Alamo Street  
San Antonio, TX 78235

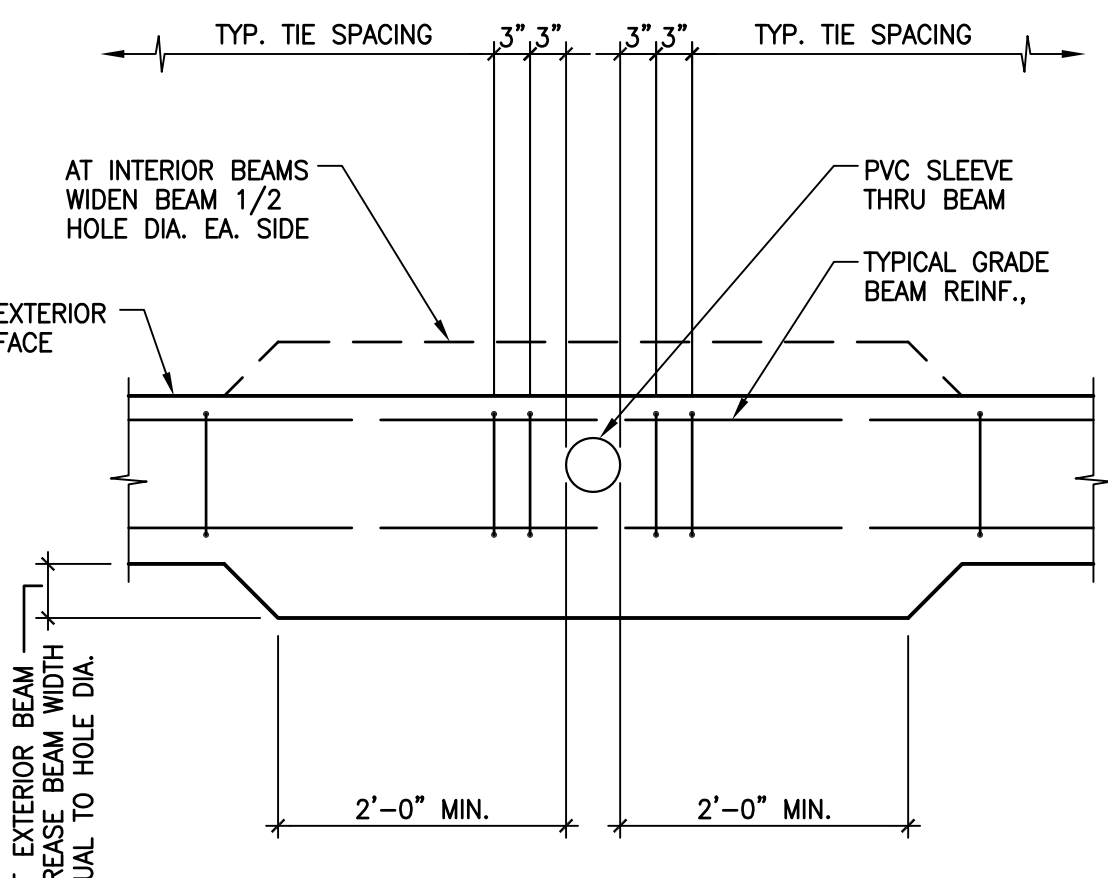
**PROJECT STATUS**  
100% CONSTRUCTION DOCUMENT SET  
DECEMBER 4, 2015

**SHEET NAME**  
FOUNDATION & ROOF FRAMING PLANS

**SHEET NUMBER**  
S2.01

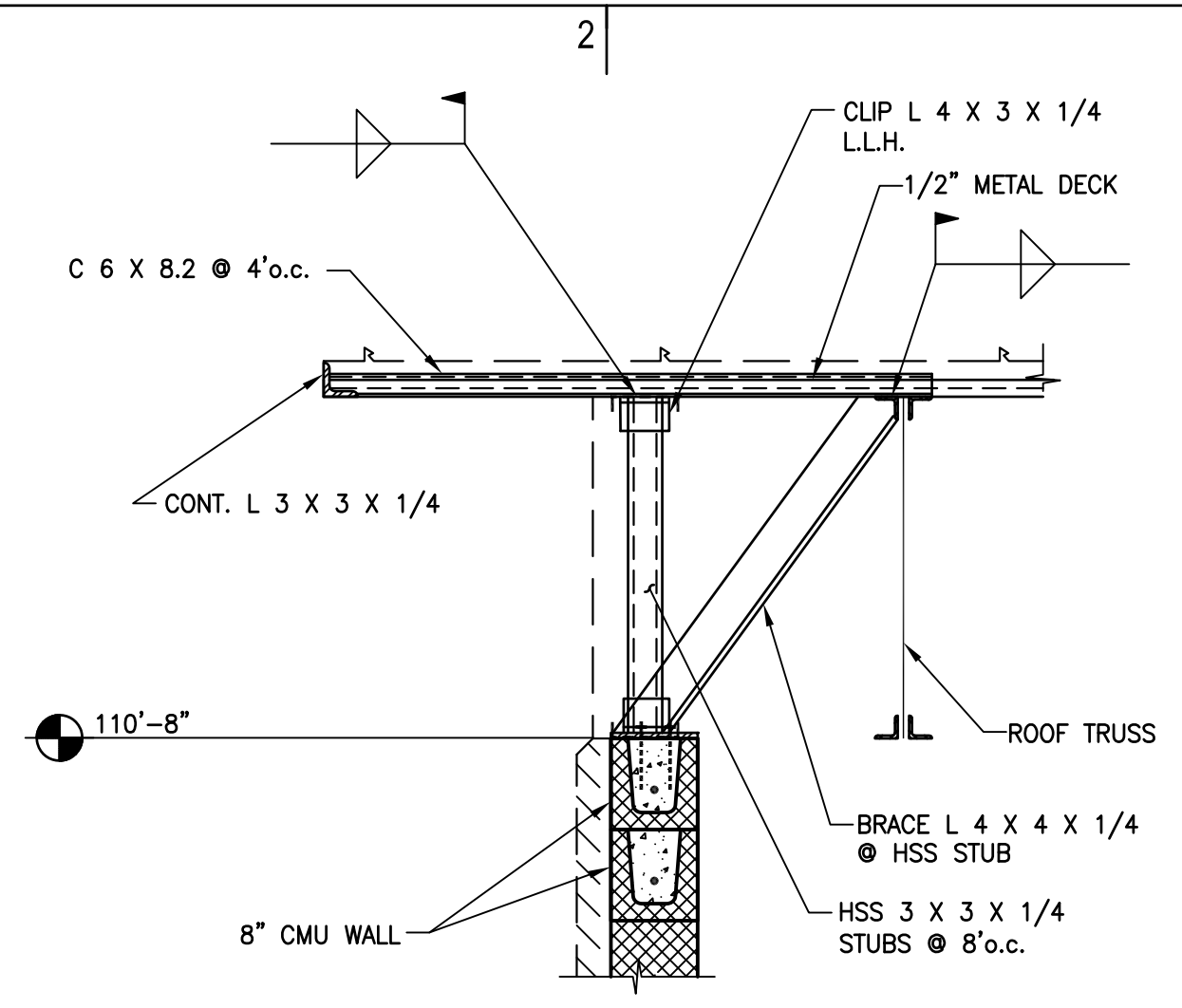


**TYPICAL HORIZONTAL PENETRATION**  
(ELEVATION)

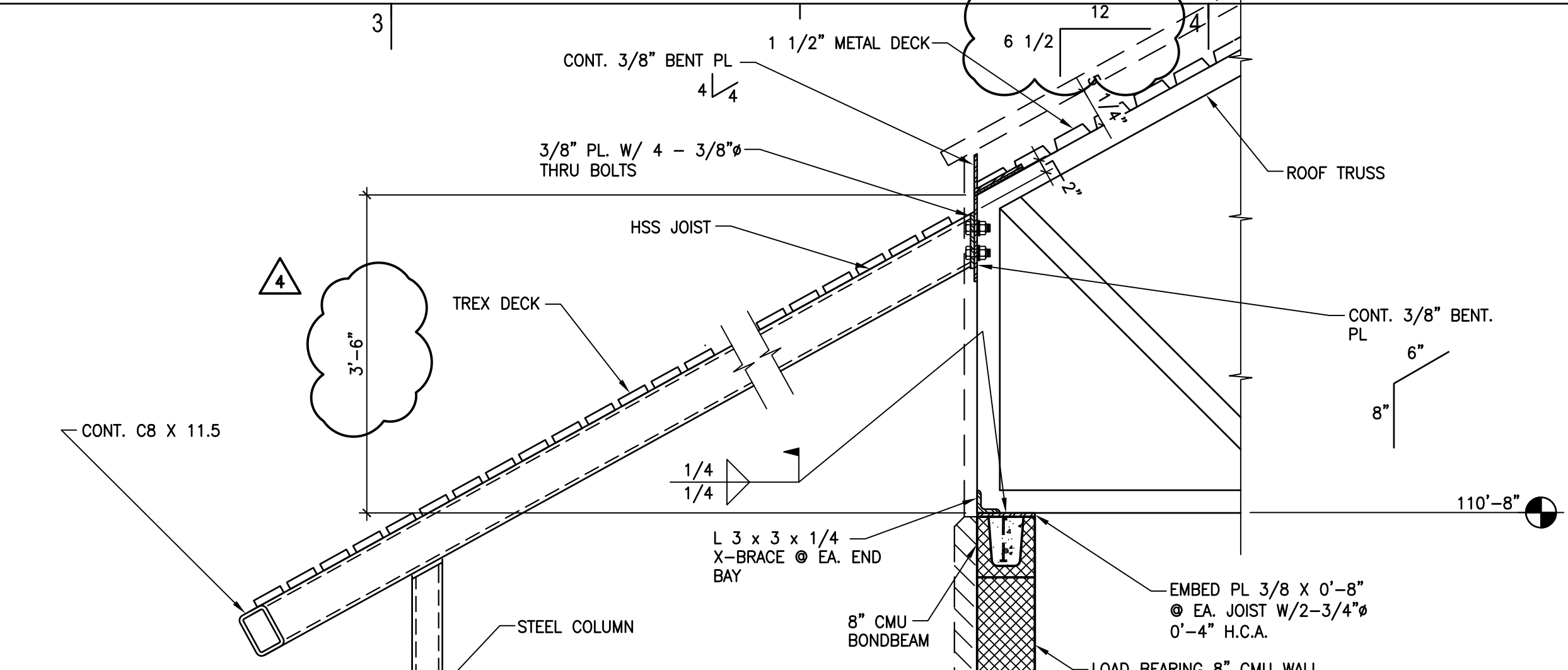


**TYPICAL VERTICAL PENETRATION**  
(PLAN)

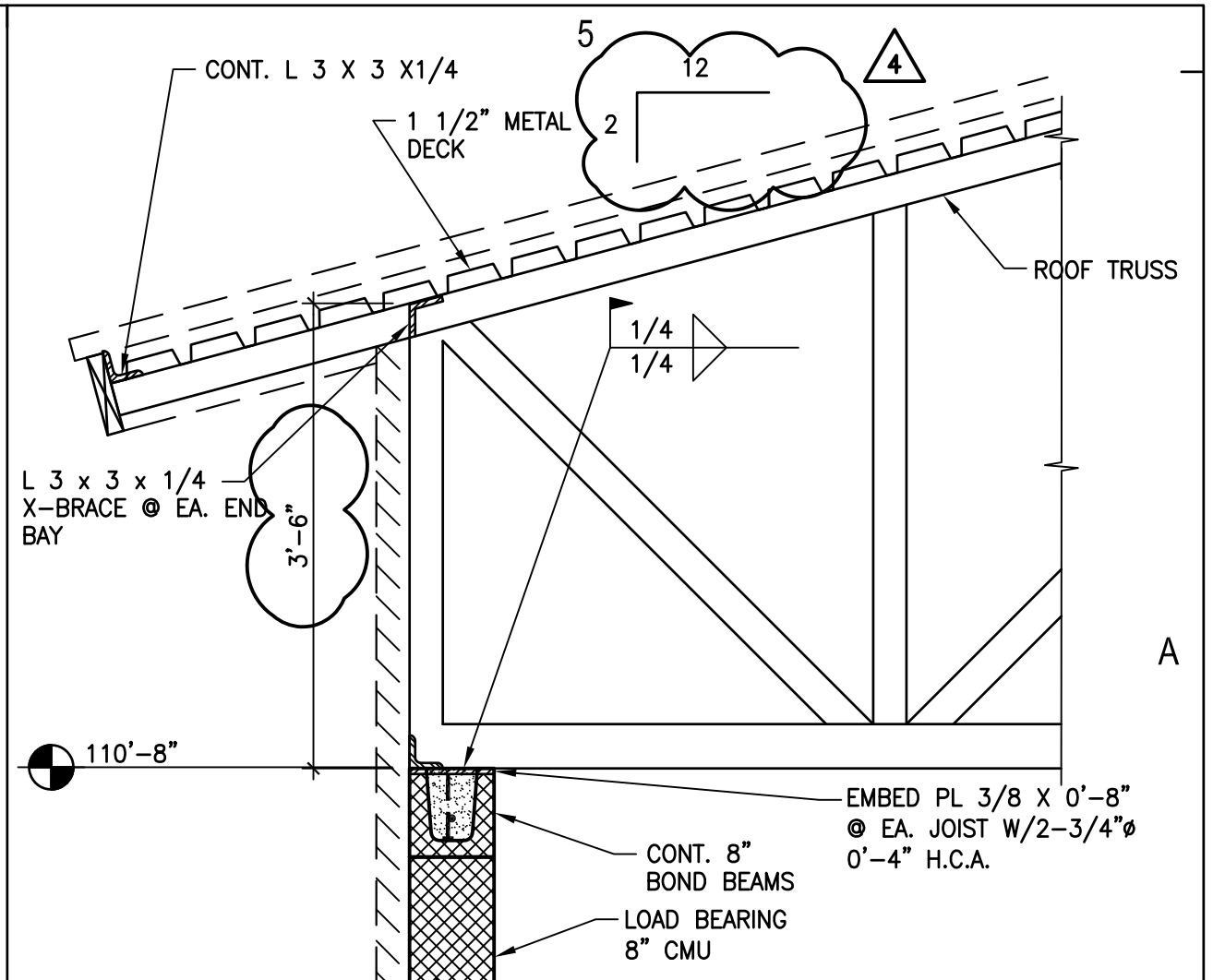
**10 DETAIL** TYPICAL N.T.S.



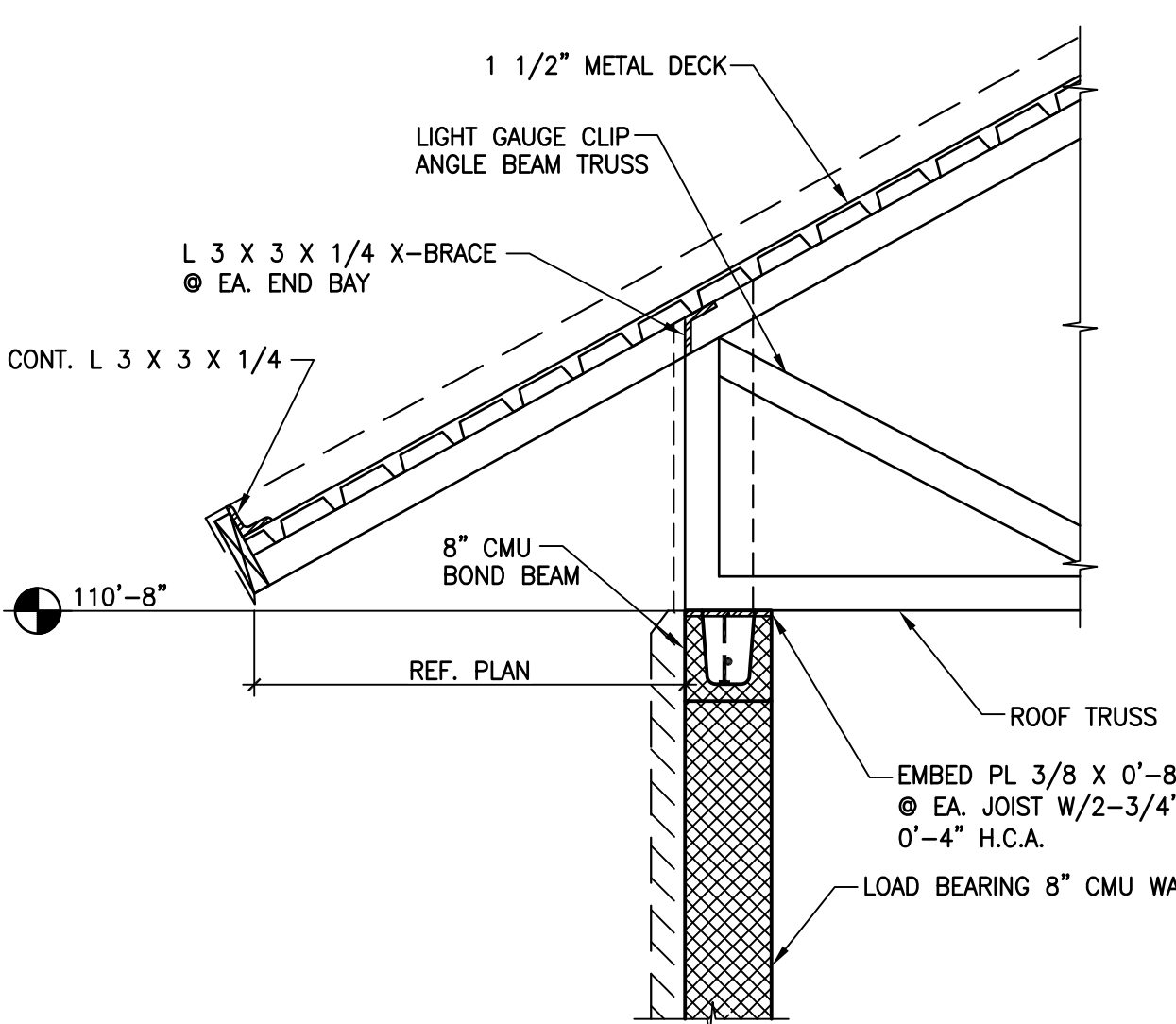
**7 SECTION** SCALE: 3/4" = 1'-0"



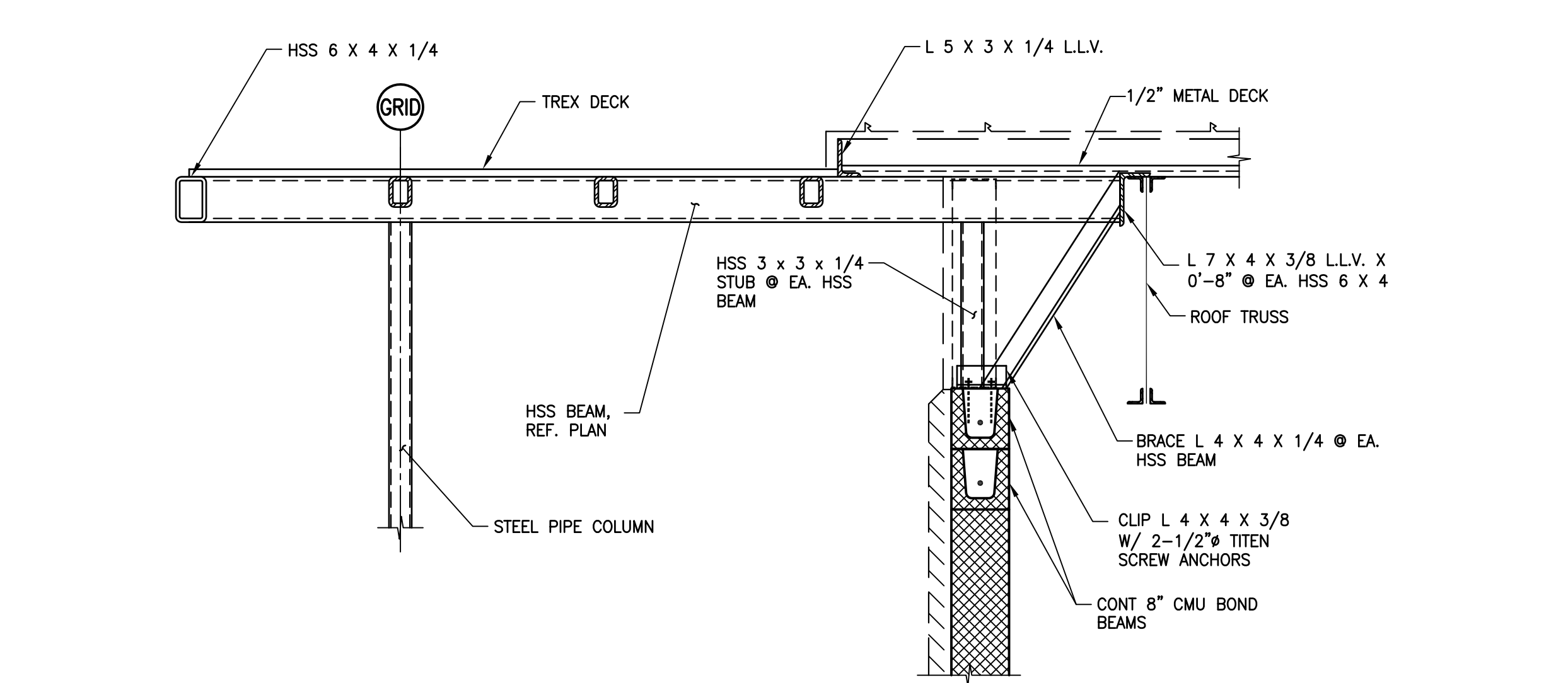
**5 SECTION** SCALE: 3/4" = 1'-0"



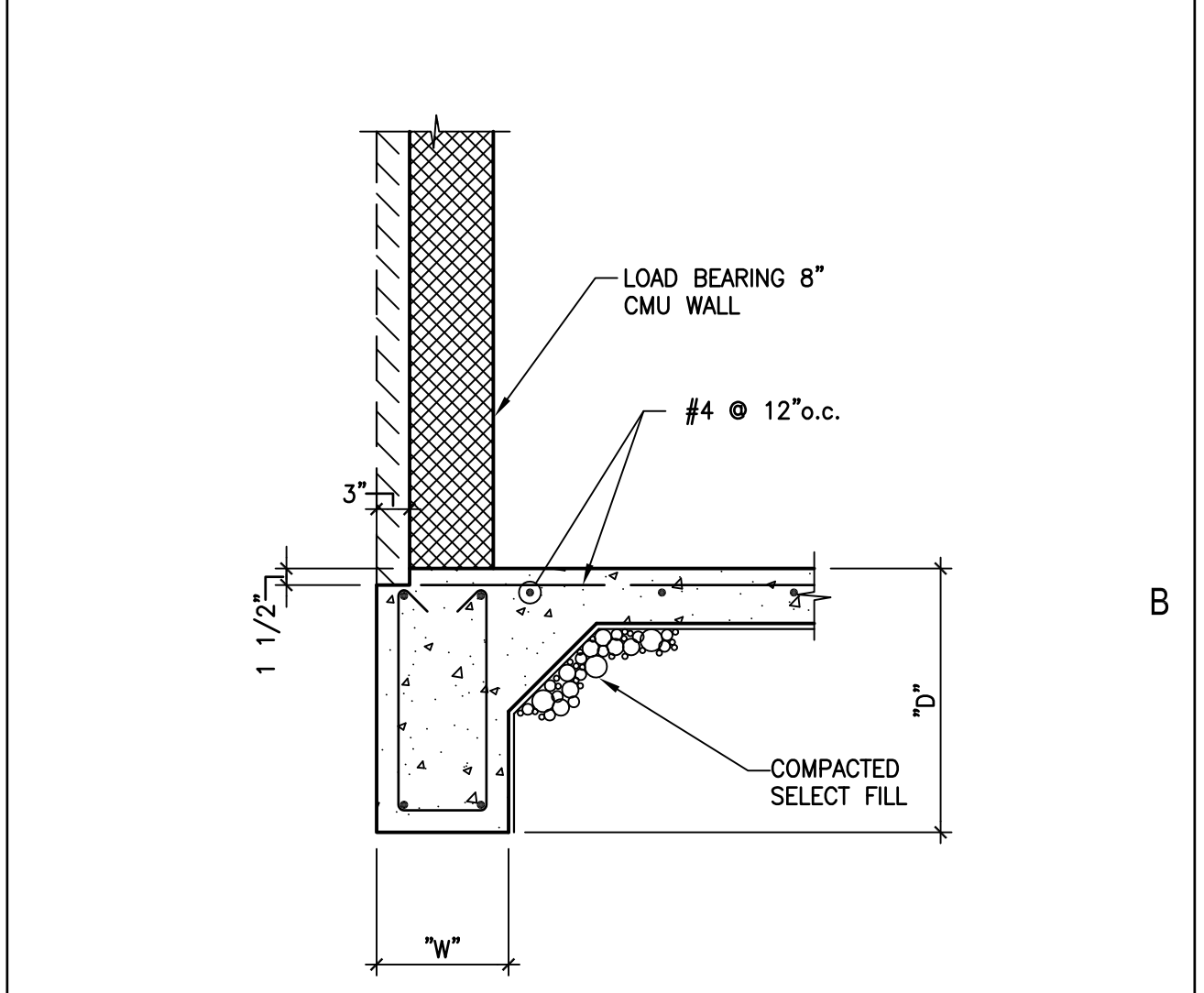
**1 SECTION** SCALE: 3/4" = 1'-0"



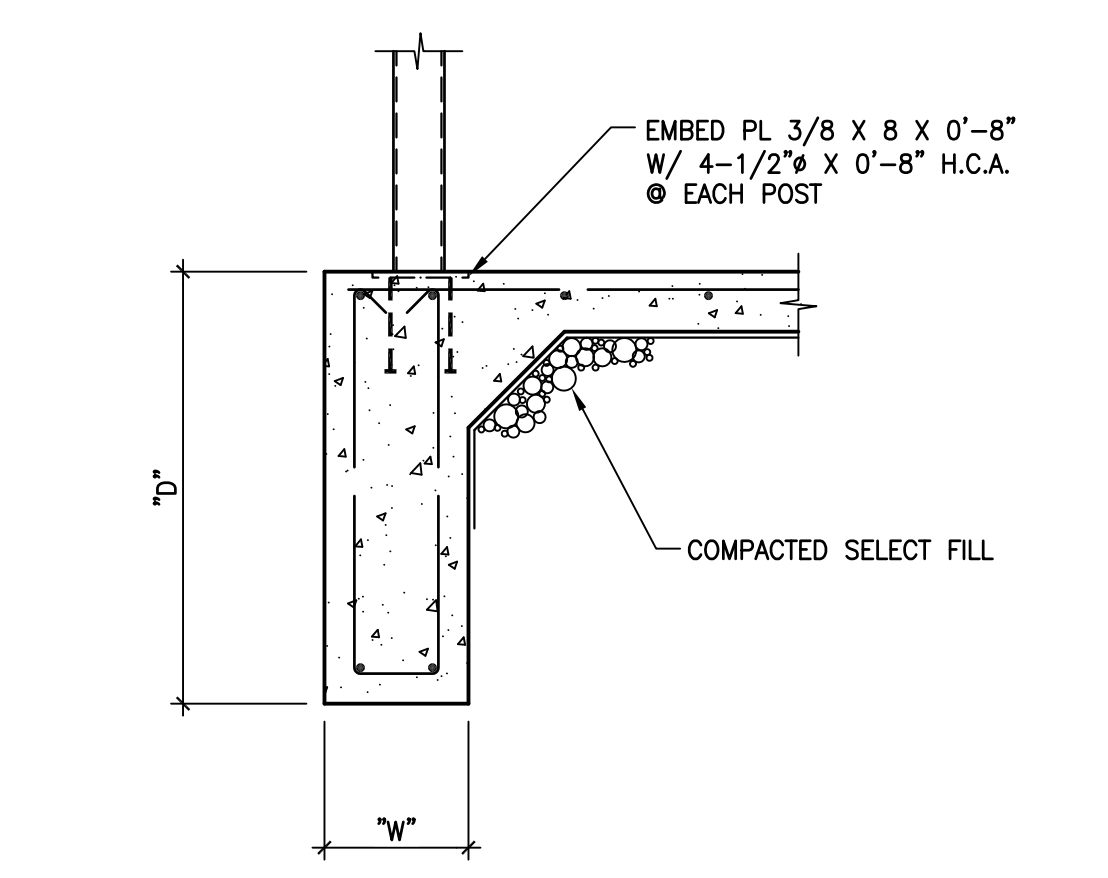
**8 SECTION** SCALE: 3/4" = 1'-0"



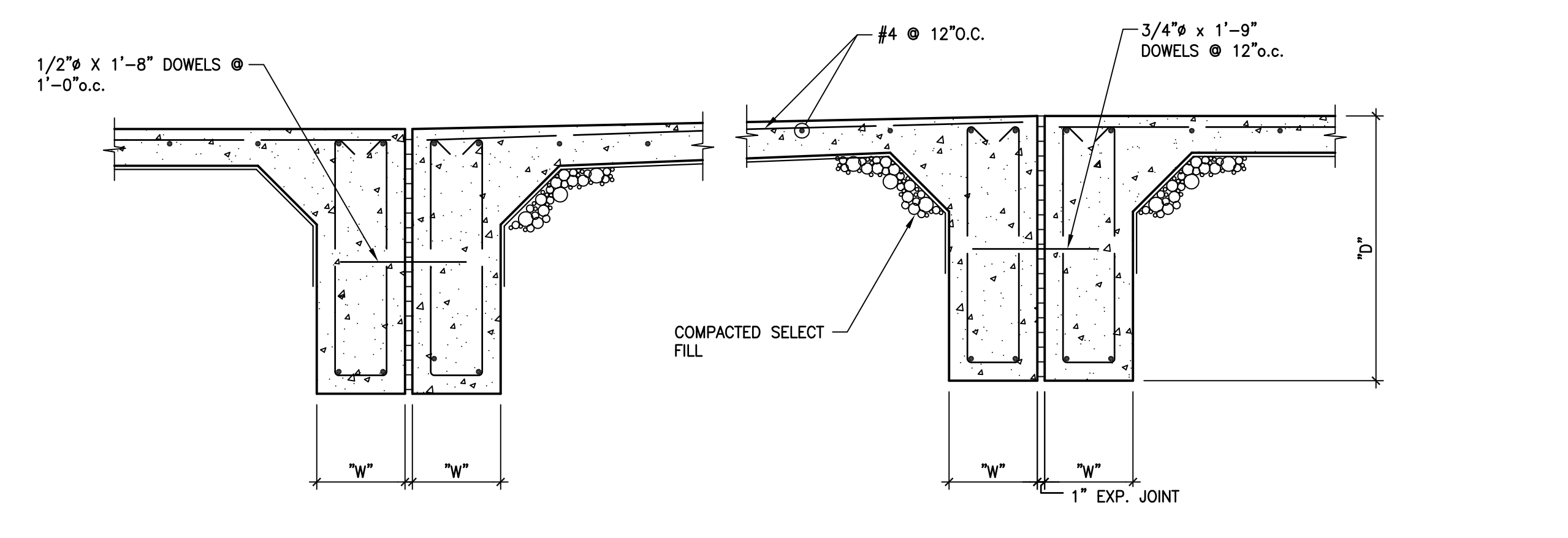
**6 SECTION** SCALE: 3/4" = 1'-0"



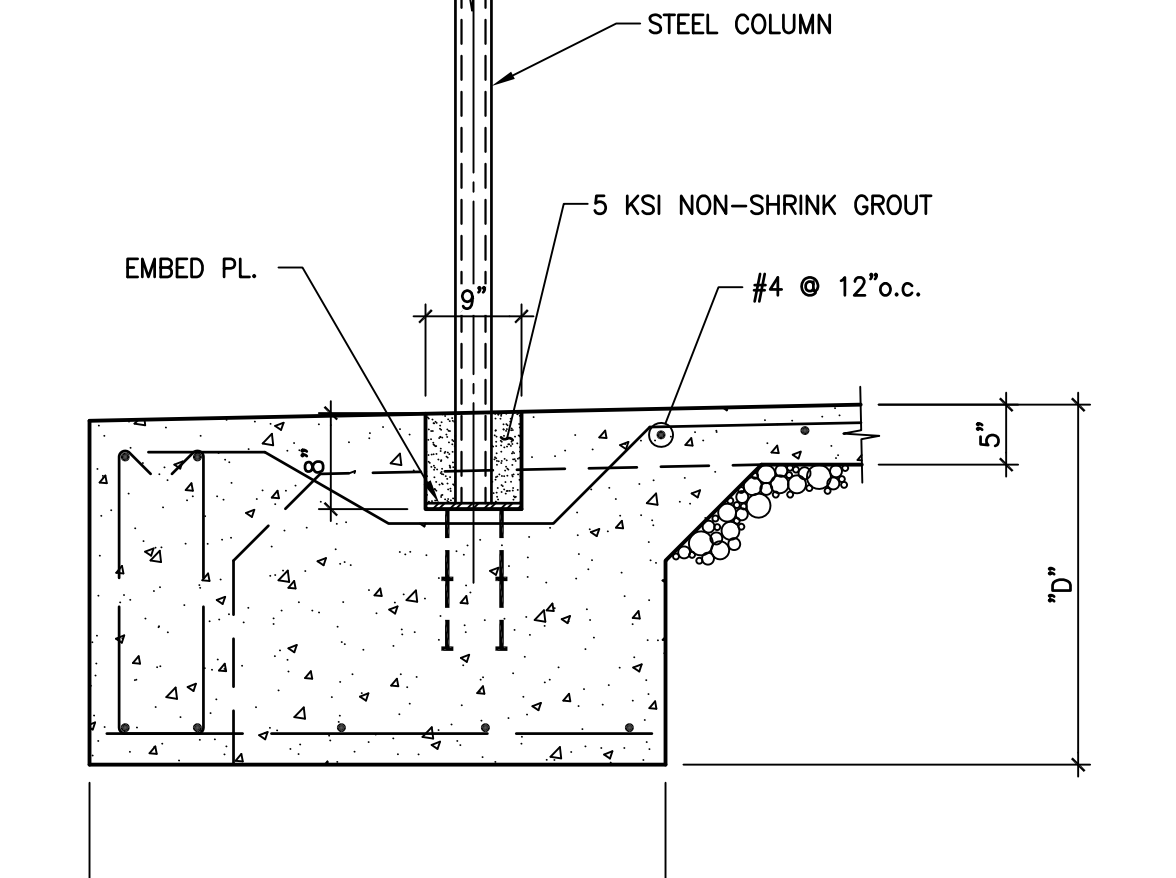
**2 SECTION** SCALE: 3/4" = 1'-0"



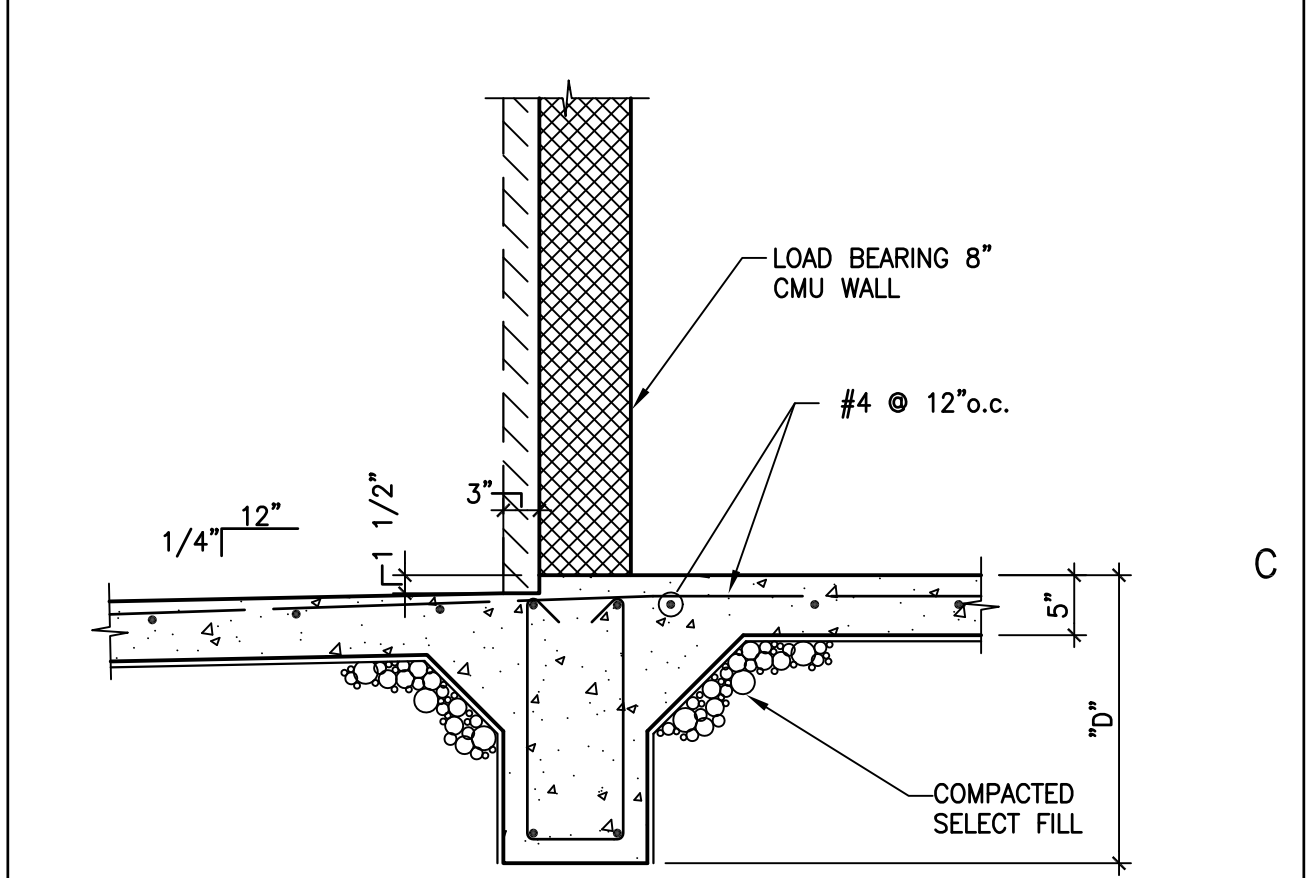
**11 SECTION** SCALE: 3/4" = 1'-0"



**9 SECTION** SCALE: 3/4" = 1'-0"



**4 SECTION** SCALE: 3/4" = 1'-0"



**3 SECTION** SCALE: 3/4" = 1'-0"

ARCHITECT  
**DOUGLAS ARCHITECTS**  
1320 E. Houston St. Suite 102  
San Antonio, TX 78205  
T: 210.226.5500  
F: 210.226.5501  
www.douglasarchitects.net

Project No.: 1414  
Project Architect: Andrew Douglas, AIA  
Project Manager: Caleb Goins

OWNER  
BROOKS CITY BASE  
Contact: Jaime Lawhn  
3201 Sidney Brooks  
San Antonio, TX 78235  
T: 210.678.3357  
E: jaime.lawhn@brookscitybase.com

M.E.P. ENGINEER  
R.G.M. ENGINEERING  
Contact: Roger Mendez  
700 N. St. Mary's, Suite 1225  
San Antonio, TX 78205  
T: 210.299.4522  
E: roger.rgmengineering.net

STRUCTURAL ENGINEER  
LUNDY & FRANKIE ENGINEERING, INC.  
TX FIRM REG. #8388  
Contact: Shawn Franke  
549 Helmer Rd.  
San Antonio, TX 78232  
T: 210.979.7900  
E: franke@lundyfranke.com

SEAL  
DATE: 12/11/15  
SHAWN J. FRANKIE  
82639  
LICENSED PROFESSIONAL ENGINEER

NO.	DATE	ISSUANCE
1	October 19, 2015	50% Progress Set
2	December 04, 2015	90% Progress Set
3	December 11, 2015	100% CONSTRUCTION SET
4	December 15, 2015	ADDENDUM 1
5	December 16, 2015	ADDENDUM 2
6	December 22, 2015	ADDENDUM 3
7	January 05, 2016	ADDENDUM 4

PROJECT  
**VETERINARY CLINIC AT BROOKS**  
200 S. Alamo Street  
San Antonio, TX 78235

PROJECT STATUS  
**100% CONSTRUCTION DOCUMENT SET**  
DECEMBER 4, 2015

SHEET NAME  
**SECTIONS & DETAILS**

SHEET NUMBER  
**S3.01**

LA PROJECT NO.: 23-007-00  
LA FILE NO.: UOFS3-01